

SWE 20F

MINI-SIZED EXCAVATOR



SUNWARD INTELLIGENT EQUIPMENT CO.,LTD.

Add: Sunward Intelligent Industrial Park, Xingsha, Changsha, 410100, China.
Tel: (0086-731) 83572 828 E-mail: international@sunward.com.cn
Web: www.sunward.com.cn

SUNWARD EUROPE HEAVY INDUSTRY N.V

Add:Nijvenheidsark 3,3580
Beringen,Belgium
Tel:(0032-011)434666
E_mail:eu@sunward.cc

Please read the manual book and maintenance book before operation, changes are periodically added to the information, and Sunward may change the products or services described in this book at any time without announcement. All rights of this manual book reserve to Sunward. SUNWARD Internal Use Only

SWE 2019-1

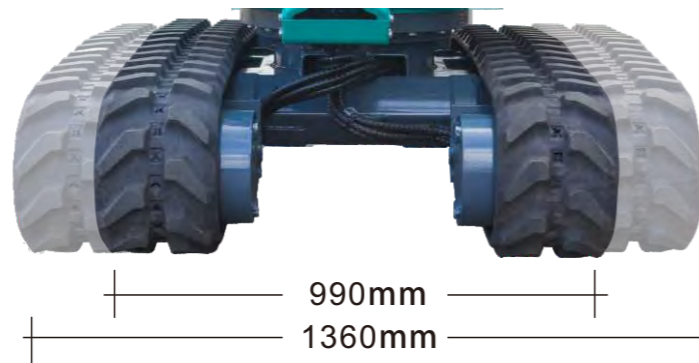
Engine netpower: 13.4kW
Machine weight: 1940/1840kg



Configuration	Standard	Optional
Cab	●	
Canopy		●
Breaker pipes	●	
Auxiliary pipes		●
Hydraulic quick hitch pipes		●

Telescopic chassis

Simple single lever controls the width of chassis to as narrow as 990mm and to as wide as 1360mm to enhance operation stability.



Outstanding performance

Yanmar engine

With low noise and vibration, it is popular among compact equipment and it is easy to maintain the main components.



Pilot traveling control

Pilot traveling control for precise and correct operation.

Auto gear shifting during traveling

Auto high-speed and low-speed gear shifting; in case of obstacles during high speed traveling, it shifts to low speed gear of high torque.



Easy to transport

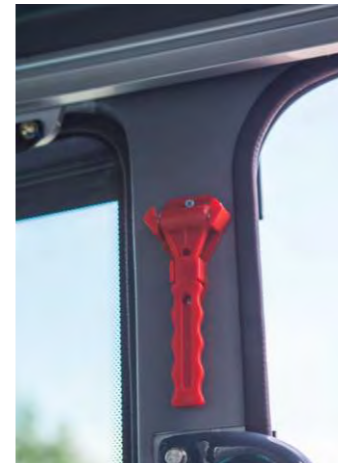


Comfort cab



Comfort operation environment

Wider space and wide view enabled by enlarged front windscreen and sunroof; in addition, the high-quality floating shock absorber seat, radio, cup holder and reading light ensure a comfortable driving experience.



Safe driving space

Frame supported cab with Fops/Tops safety certificate, regular protection mechanism of front windscreen, hidden seat belt and safety hammer for safety of driver.



Clear monitoring instrument that is easy to operate

List of display items

- Coolant temperature
- Fuel level
- Working hours
- Time
- Traveling mode
- Operation light
- Various warning lights of engine
- Overheat warning
- Oil pressure warning
- Charging indication
- Working light indication

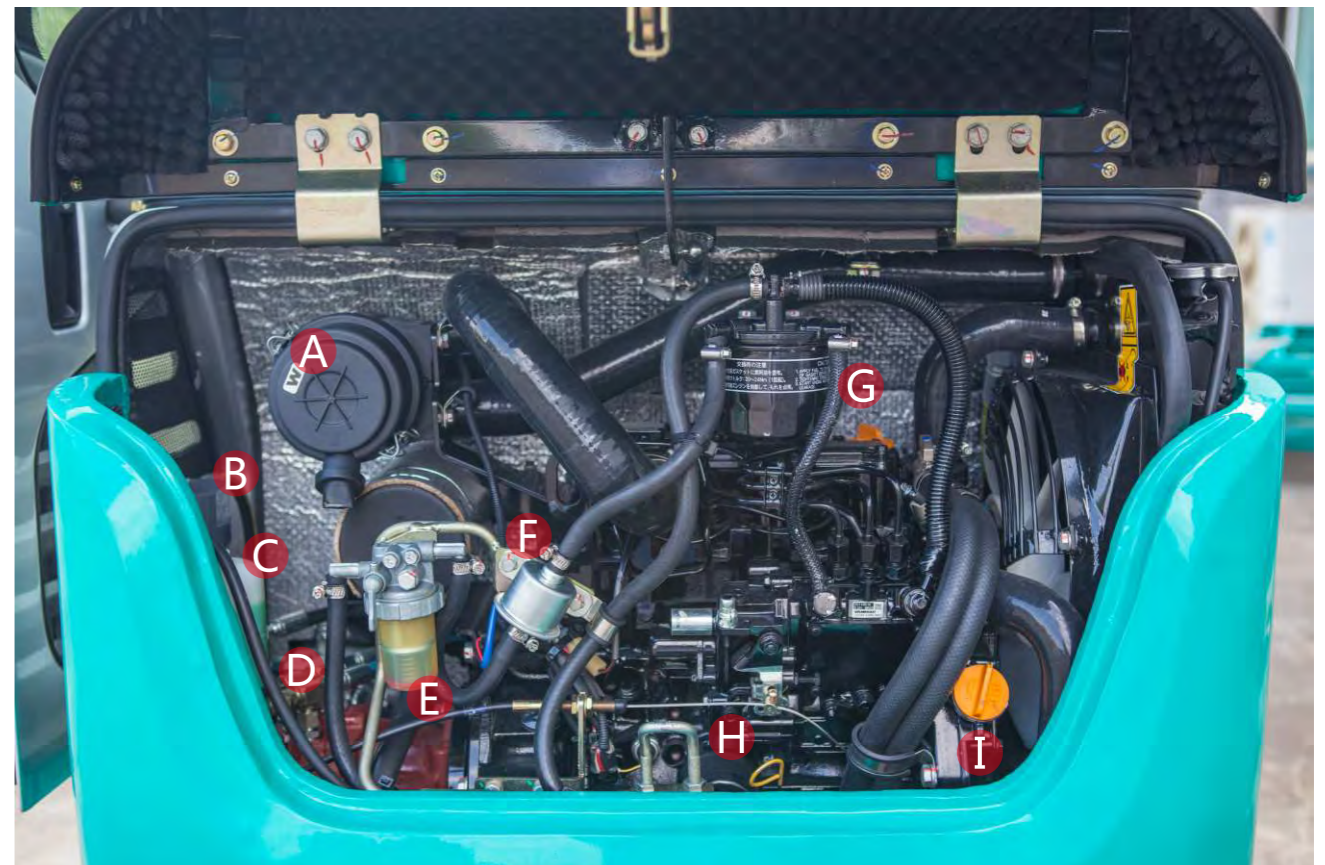


Easy service

The tail hood can be open to a large degree, which makes easier daily inspection and change of filters. The left lower service hole makes easier maintenance of multi-way valve without removing the cab. Exterior fuel filler makes refueling easier.



- | | | |
|-------------------------|---|---------------------------|
| A Air filter | D Interface for pressure measurement | G Fine fuel filter |
| B Pilot filter | E Primary fuel filter | H Oil filter |
| C Expansion tank | F Electric oil suction pump | I Oil filler |



LED working light



Steel protection cover



LED warning light



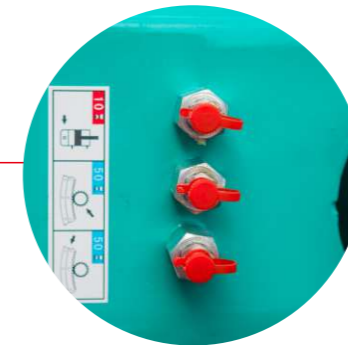
**Auxiliary pipes(Standard)
Hydraulic quick
hitch pipes(optional)**



**Tools placement
location**



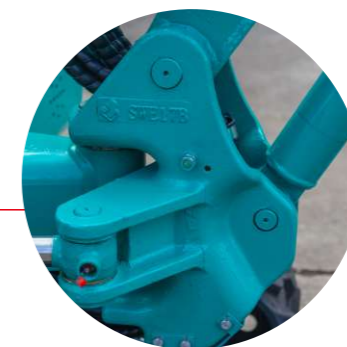
**Centralized
greasing filling**



Foldable dozer blade



**Cast slew
connector**



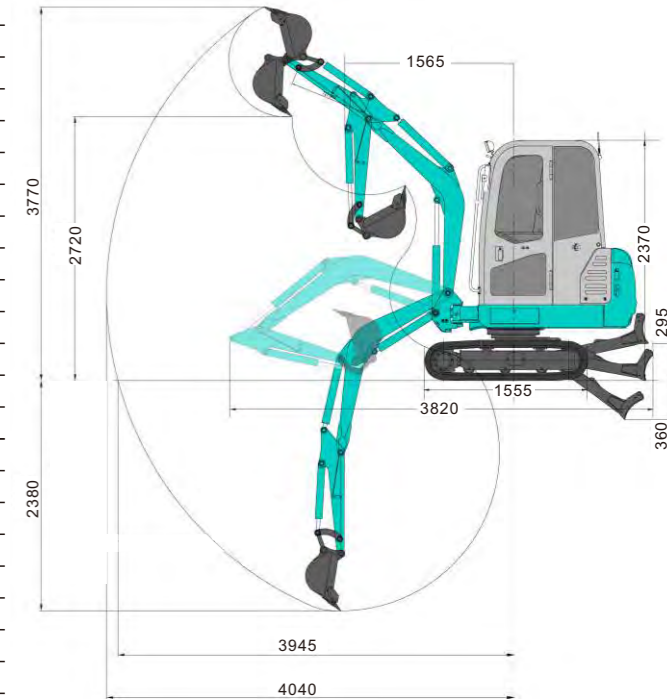
Equipment

The regular and optional equipment varies from country to country. For more information, please contact with us.

Engine		Cab	
Oil filter	●	AM/FM radio	●
Fuel filter	●	Cup holder	●
Oil-water separator	●	Suspension seat	●
Air filter	●	Heating system	●
Radiator	●	Engine neutral start system	●
Alternator	●	Retractable safety belt	●
Expansion tank	●	FOPS/TOPS cab	●
Electronic fuel pump	●	FOPS/TOPS canopy	○
Muffler	●	Windscreen washer and wiper	●
Hydraulic system		Left/right rearview mirror	●
Hydraulic pilot control rod	●	Cigar lighter	●
Slewing parking brake system	●	Safety device of front windscreen	○
Traveling parking brake system	●	Front working devices	
Dual-speed traveling system	●	260 mm bucket	○
Auto traveling gear shifting system	●	380 mm bucket	●
Light		600 mm bucket	○
Boom light	●	1000 mm bucket	○
Superstructure light	●	Breaker pipes	●
Front cab light	●	Auxiliary pipes	○
Warning lamp	●	Hydraulic quick hitch pipes	○
Components of understructure			
230 mm rubber track	●		
230 mm steel track	○		

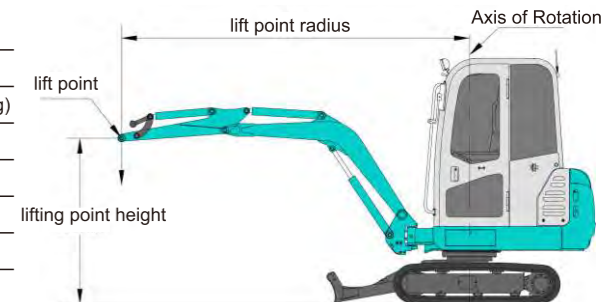
● Standard equipment ○ Optional equipment

SWE20F Technical Parameters				
Type of cab		Cabin/canopy		
Bucket capacity	m ³	0.04		
Bucket width, std.	mm	380		
Machine weight	kg	1940/1840		
Dimensions	Overall length	mm	3820	
	Overall height	mm	2370	
	Overall width	mm	990	
	Ground clearance	mm	482	
Engine	Brand	Yanmar		
	Model	3TNV80F-SSSU		
	Displacement	L	1.267	
	Output	kW/rpm	13.4/2200	
Working ranges	Max cutting height	mm	3770	
	Max loading height	mm	2720	
	Max digging depth	mm	2380	
	Max digging reach	mm	4040	
	Boom swing angle(Left/Right)	°	75/50	
	Front swing radius	mm	1565	
	Tail swing radius	mm	1120	
	Max digging force (Arm)	kN	9.83	
	Max digging force (Bucket)	kN	22.7	
	Track	Type	Rubber track	
Rubber shoe width		mm	230	
Undercarriage	Track length	mm	1555	
	Length to center of rollers	mm	1210	
	Length to center of track	mm	760/1130	
	Traveling speed(High/Low)	km/h	3.5/2	
	Gradeability	deg	30	
Swing speed	rpm	10		
Ground pressure	kpa	30		
Dozer size	Width	mm	990/1360	
	Height	mm	267	
	Lifting capacity (Height/Depth)	mm	295/360	
Hydraulic pumps	Type	2 variable plunger pumps, 1 Gear pump		
	Flow rate	L/min	2*21+15	
	Hydraulic pressure	Mpa	22.5+18	
Swing motor		Plunger motor		
Travel motor		2-speed plunger motor		
Fuel tank capacity	L	23		
Hydraulic oil tank capacity	L	35		



Load Capacity:

Lift Point Height	Lift Point Radius (MAX)		Lift Point Radius (3.0m)		Lift Point Radius (2.0m)	
	Over-front (kg)	Over-side (kg)	Over-front (kg)	Over-side (kg)	Over-front (kg)	Over-side (kg)
2.0m	260.0*	180.0	250.0*	210.0	-	-
1.50m	280.0*	150.0	310.0*	200.0	470.0*	380.0
0m	300.0*	160.0	360.0*	190.0	670.0*	350.0
-1.0m	330.0*	200.0	-	-	620.0*	340.0



Notes:

- Load with * is limited by hydraulic capacity and based on ISO 10567. Rated loads do not exceed 87% of hydraulic capacity.
- Load without * is limited by tipping load and based on ISO 10567. Rated loads do not exceed 75% of tipping capacity.
- The excavator bucket, hook, sling and other lifting accessories are not included in this table.