



Excavator SWE 60UF



Operating Weight	5.7t(steel track)/5.63t(rubber track)
Engine Power (gross/net)	36.5kW/2000rpm (35kW/2000rpm)
Engine Brand	KUBOTA
Standard Bucket Capacity	0.18m ³
Max. Digging Depth	3.71m

Excavator SWE60UF

Parameter

ENGINE

Brand	KUBOTA
Model	V2607-DI-TE3B
Type	4-cylinder 4-stroke water cooled
Displacement	2.615L
Power (gross/net)	36.5kW/2000rpm (35kW/2000rpm)

DRIVE

Max.Travel Speed (2nd/1st)	4.07/2.03km/h
Gradeability	35°

UNDERCARRIAGE

Undercarriage Width	1960mm
Shoe Width	400mm
Length to Center of Rollers	1965mm
Track Length	2495mm
Track Height	594mm

BULLDOZING BOARD

independent moving, controlled by the gear shift lever	
Widthh X Height	1960X340mm
Max. Lifting Height	455mm
Max. Cutting Depth	415mm

DIMENSIONS

Counterweight Clearance	630mm
Tail Swing Radius	1050mm
Shipping Length	5498mm
Shipping Width	1830mm
Shipping Height	2550mm

WORKING RANGES

Max. Cutting Height	5615mm
Max. Loading Height	3950mm
Max. Digging Depth	3710mm
Max. Vertical Wall Digging Depth	3050mm
Max. Digging Reach	6230mm
Max. Reach at Ground Level	6105mm
Bucket Digging Force	46.8kN
Stick Digging Force	31.1kN
Ground Pressure	31.5kPa
Swing Speed	9.4rpm

CAPACITY

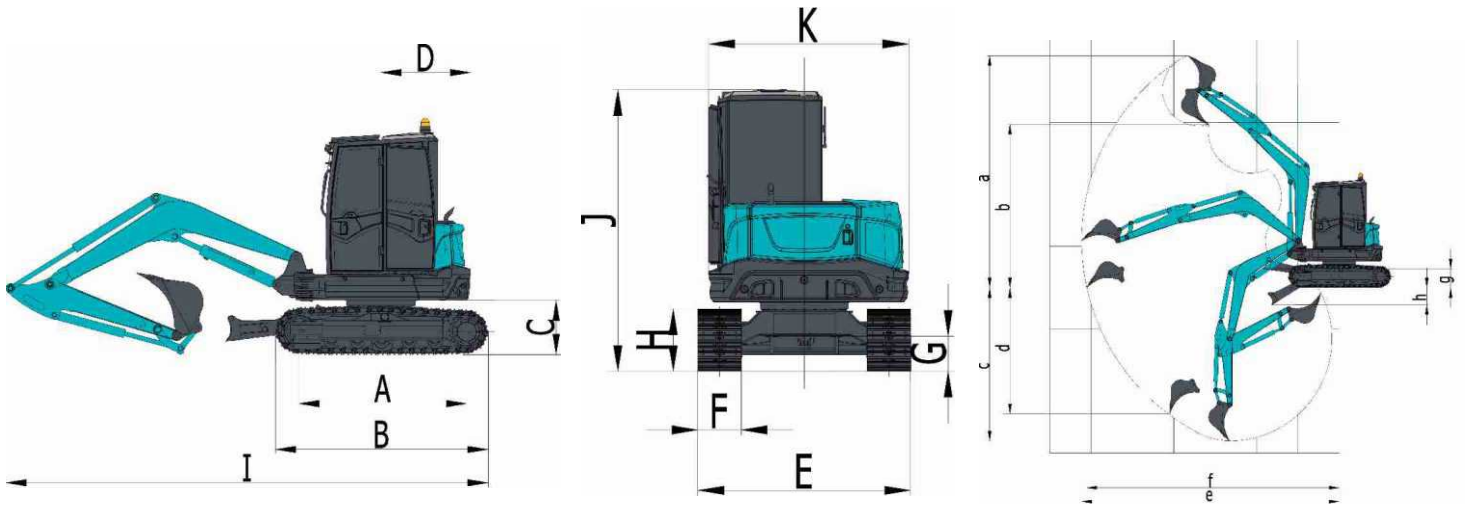
Fuel Tank	70L
Hydraulic Tank	70L

HYDRAULIC SYSTEM

Main Pumps	
Type	2 variable displacement pumps, 1 gear pump
Displacement	2x59+42 L/min
Working Pressure	2x24.5+21 MPa

Excavator SWE 60UF

Working Ranges



Load Capacity

Lift Point Height	Lift Point Radius(MAX)		Lift Point Radius(5.0m)		Lift Point Radius(4.0m)		Lift Point Radius(3.0m)	
	Over-front(kg)	Over-side(kg)	Over-front(kg)	Over-side(kg)	Over-front(kg)	Over-side(kg)	Over-front(kg)	Over-side(kg)
4.0	885.40*	837.50*	—	—	842.30*	861.40*	—	—
3.0	866.20*	581.70	—	—	885.40*	871.00*	—	—
2.0	832.70*	486.80	—	—	981.10*	697.20	1316.10*	1301.70*
1.0	890.20*	449.70	918.90*	474.50	1115.10*	631.20	1703.70*	969.50
0.0	1186.90*	585.80	1196.40*	614.70	1483.60*	750.90	1971.70*	1043.80
-1.0	1172.50*	614.70	—	—	1182.10*	639.50	1617.60*	837.50
-2.0	713.10*	833.40	—	—	713.10*	833.40	1397.40*	915.90

Notes:

- 1) Load with * is limited by hydraulic capacity and based on ISO 10567. Rated loads do not exceed 87% of hydraulic capacity.
- 2) Load without * is limited by tipping load and based on ISO 10567. Rated loads do not exceed 75% of tipping load.

■ SUNWARD INTELLIGENT EQUIPMENT CO.,LTD.

Add: Sunward Intelligent Industrial Park, Xingsha, Changsha, 410100, China.

Tel: (0086-731) 83572 828 Fax: (0086-731) 83572 661

E-mail: international@sunward.com.cn

Web: www.sunward.com.cn

■ SUNWARD EUROPE HEAVY INDUSTRY NV

Add: Nijverheidspark 3, 3580 Beringen, Belgium

Tel: (0032-011) 434666

E-mail: eu@sunward.cc