

**SUNWARD**

# SWE90UF

Machine weight : 8200kg

Engine netpower : 46.2/2200 kW/rpm

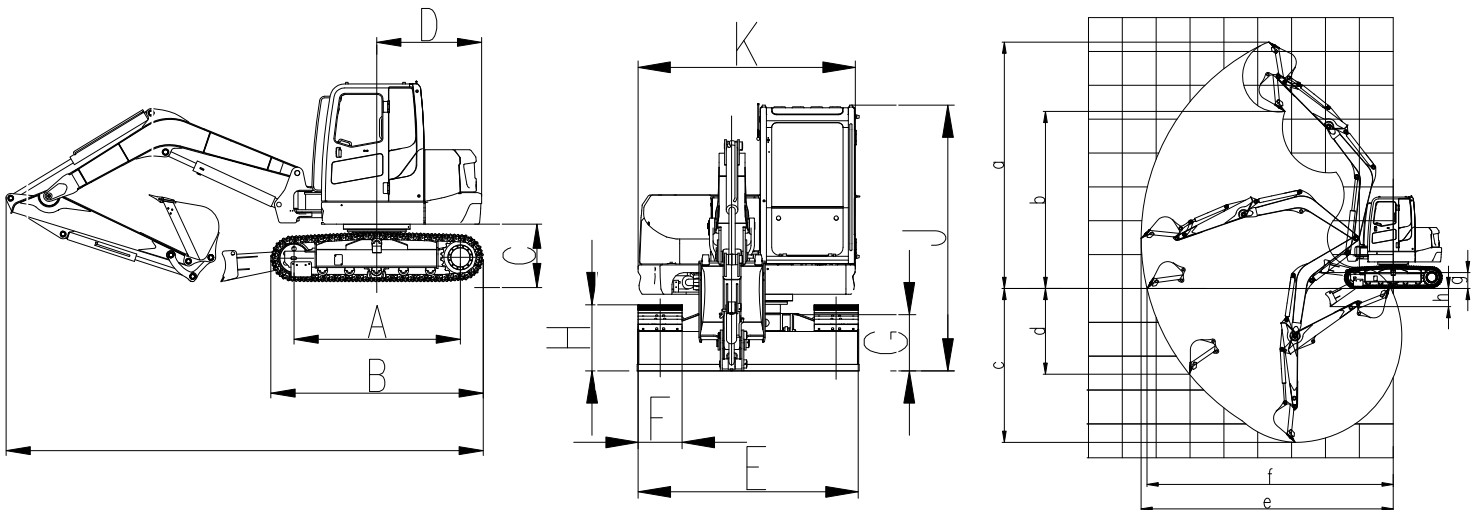
Bucket capacity : 0.26-0.34m<sup>3</sup>



# Product Characteristics :

1. The strong engine meets Euro V emission standards, and is green, energy-saving and with high efficiency.
2. The cab conforms to European TOPS & ROPS standard, with large space, large vision and it is comfortable to operate.
3. The electric control main pump of the load-sensitive hydraulic system can be adjusted according to the actual working conditions. For instance, the absorption power of the main pump can be adjusted to improve the working efficiency.
4. Open covering parts allow easy maintenance and service.
5. Standard electro-hydraulic proportional handle and auxiliary pipeline meet the use requirements of various auxiliary equipment.
6. Ultra - small tail leads to deflection of working device and easy corner construction.

SWE90UF Technical Parameters				
Overall(L×W×H)			mm	5875×1900×2615
Dimensions	A	Length to center of rollers	mm	2250
	B	Track length	mm	2892
	C	Counterweight clearance	mm	790
	D	Tail swing radius	mm	1420
	E	Track width	mm	2250
	F	Track shoe width	mm	450
	G	Ground clearance	mm	390
	H	Track height	mm	660
	I	Shipping length	mm	6510
	J	Shipping height	mm	2700
	K	Upeerstructure width	mm	2230
Working range	a	Maximum dig height	mm	7300
	b	Maximum dump clearance	mm	5235
	c	Dig depth	mm	4630
	d	Vertical wall dig depth	mm	3890
	e	Maximum reach	mm	7460
	f	Maximum reach at ground level	mm	7300
	g	Maximum blade height	mm	465
	h	Maximum blade depth	mm	535
	i	Swing radius	mm	2580
Weight			T	8.2
Bucket capacity			m <sup>3</sup>	0.26
Bucket digging force(ISO)			kN	63.5
Arm digging force(ISO)			kN	37.5
Travel speed			km/h	4.5/2.7
Ground pressure			kPa	35.4
Engine	Brand		YANMAR	
	Rated power		kW/rpm	46.2/2200



## SUNWARD INTELLIGENT EQUIPMENT CO.,LTD.

Add: Sunward Intelligent Industrial Park, Xingsha, Changsha, 410100, China.  
 Tel: (0086-731) 83572 828 E-mail: international@sunward.com.cn  
 Web: www.sunward.com.cn

## SUNWARD EUROPE HEAVY INDUSTRY N.V

Add: Nijvenheidsark 3,3580 Beringen, Belgium  
 Tel: (0032-011)434666 E\_mail: eu@sunward.cc